

GHS-550 Base

Features

- Flat surface with stain resistance
- 2 finishes available - white or polished
- Recommended caster: M10 type of **GFA55N** for **GHS-550M10**, **GEX-100N** for **GHS-550M12**
- For $\phi 38.1$ pipe
- Use with optional weight for base **GHSW-2** to prevent falling. Up to 5 pcs can be installed
- Suitable for medical equipment, etc.

Notes

- When using casters with swivel lock, please take anti-loosening measures before installing the casters
- Do not use for chairs

Sold Separately

- Caster
- Weight for base

Caster (Sold Separately)

GFA55N

Threaded bolt type



GEX-100N

Threaded bolt type



Weight For Base (Sold Separately)

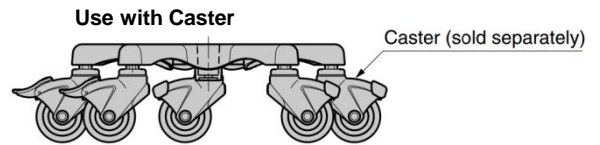
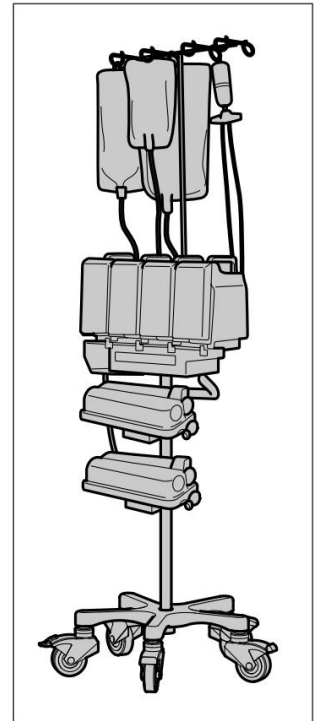
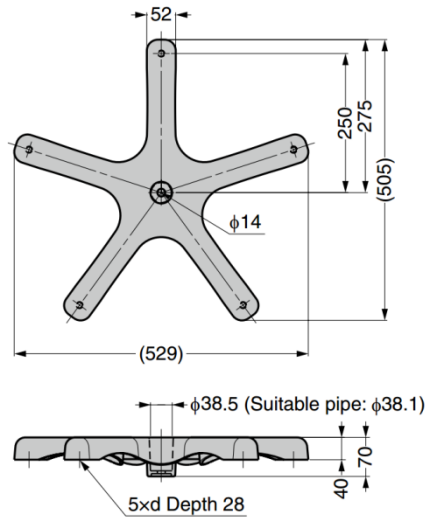


Weight For Base (Sold Separately)

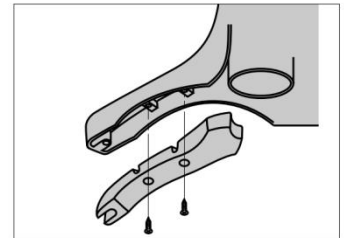
Part No.	Material	Finish / Colour
GHSW-2	Cast Iron (FC)	Paint / White

Body

Part No.	Material	Finish / Colour	d
GHS-550M10W	Aluminium Alloy (ADC)	Paint / White	M10
GHS-550M12W			M12
GHS-550M10M		Polished	M10
GHS-550M12M			M12



Installation of Optional Weight for Base



※Screws not included. Please prepare separately.

Recommended Screw: Hexagon socket head cap screw M5 x 15